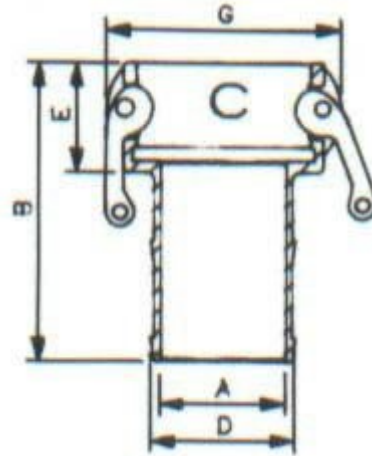


## ACOPLE CAMLOCK GF-C / CE

### HEMBRA CON ESPIGA



### Acople a palanca

**MATERIALES:** Aluminio, Polipropileno, Bronce y Acero Inoxidable

DIAMETRO	A	B	D	E	G
1/2" (13mm)	10 mm	73 mm	15 mm	31 mm	39 mm
3/4" (19mm)	13 mm	87 mm	21 mm	35 mm	54 mm
1" (25mm)	19 mm	97 mm	27 mm	40 mm	60 mm
1 1/4" (32mm)	26 mm	104 mm	33 mm	46 mm	79 mm
1 1/2" (38mm)	32 mm	109 mm	41 mm	47 mm	86 mm
2" (50mm)	47 mm	79 mm	89 mm	47 mm	39 mm
2 1/2" (65mm)	56 mm	136 mm	68 mm	56 mm	105 mm
3" (76mm)	66 mm	160 mm	76 mm	58 mm	121 mm
4" (100mm)	90 mm	170 mm	103 mm	62 mm	148 mm
5" (125mm)	106 mm	187 mm	130 mm	65 mm	175 mm
6" (150mm)	144 mm	256 mm	155 mm	66 mm	220 mm

## ACOPLE CAMLOCK GF-C / CE

