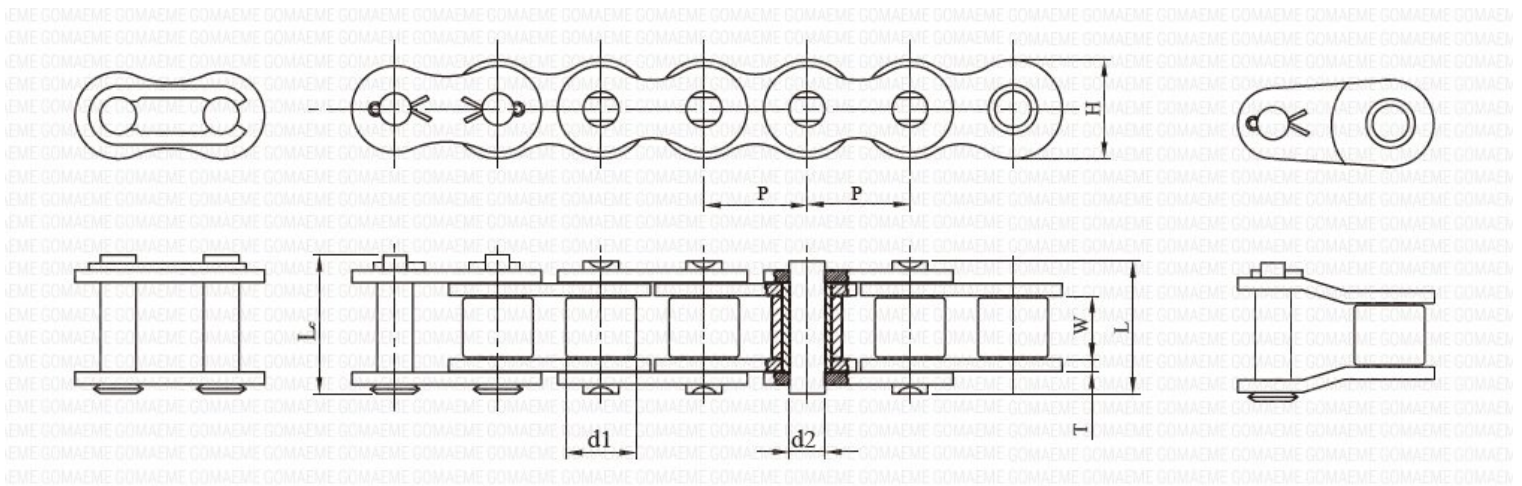


CADENAS A RODILLOS NORMA AMERICANA / ASA

Las cadenas de rodillos de norma Americana son conocidas por su sigla ASA o ANSI (American National Standards Institute). Comercializamos en Acero al carbono o Inoxidable, en series simples, dobles, triples o reforzadas, uniones y medias mallas se venden por separado.



MEDIDAS CADENAS SIMPLES

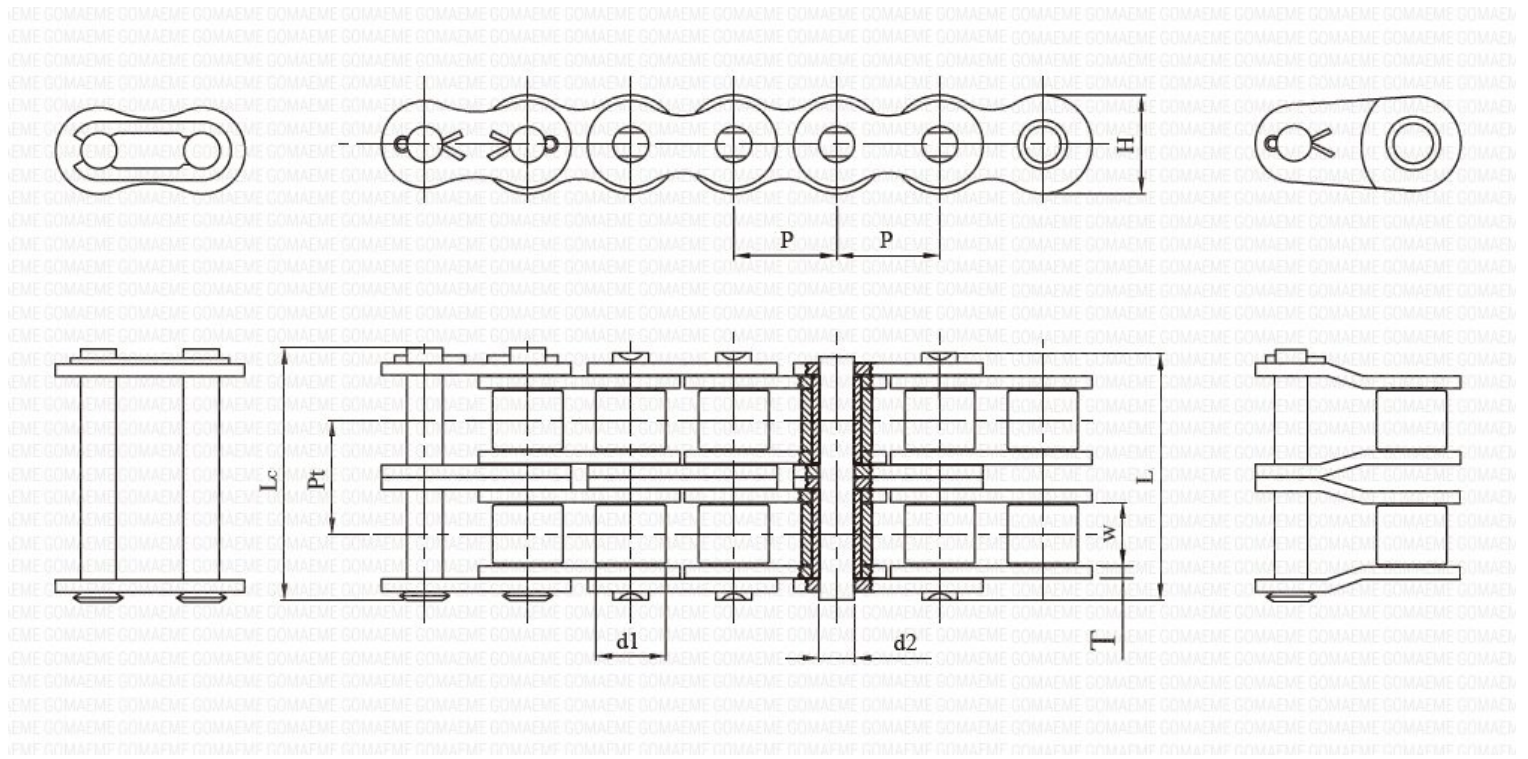


CADENAS A RODILLOS NORMA AMERICANA / ASA

ANSI Chain No	Pitch	Roller Link Width	Roller Outer Diameter	Pin Outer Diameter	Pin Length		Link Plate Height	Link Plate Thickness	Minimum Tensile Strength	Average Tensile Strength	Allowed Load
	P	W min	d1 max	d2 max	L max	Lc max	H max	T	min	kgf	max
	mm	mm	mm	mm	mm	mm	mm	mm	kgf	kgf	kgf
25	6.35	3.10	3.30	2.31	8.0	8.80	6.02	0.75	360	400	65
35	9.525	4.68	5.08	3.60	12.15	13.40	9.05	1.15	810	1100	220
40	12.70	7.85	7.92	3.98	17.80	21.0	12.07	1.50	1420	1950	370
50	15.875	9.40	10.16	5.09	21.80	25.0	15.09	2.0	2230	3000	650
60	19.05	12.57	11.91	5.96	26.90	31.0	18.0	2.35	4000	4100	920
80	25.40	15.75	15.88	7.94	33.50	38.0	24.13	3.20	5680	7500	1500
100	31.75	18.90	19.05	9.54	41.10	47.0	30.17	4.0	8880	12100	2300
120	38.10	25.22	22.23	11.11	50.80	57.0	36.20	4.70	12770	16000	3100
140	44.45	25.22	25.40	12.71	54.90	62.0	42.23	5.50	17380	21000	4100
160	50.80	31.55	28.58	14.29	65.50	73.0	48.26	6.40	22800	30000	5400
200	63.50	37.85	39.68	19.85	80.40	90.0	60.33	8.0	35460	46000	7300
240	76.20	47.35	47.63	23.81	95.50	106.0	72.39	9.50	53110	67500	10100

MEDIDAS CADENAS DOBLES

CADENAS A RODILLOS NORMA AMERICANA / ASA

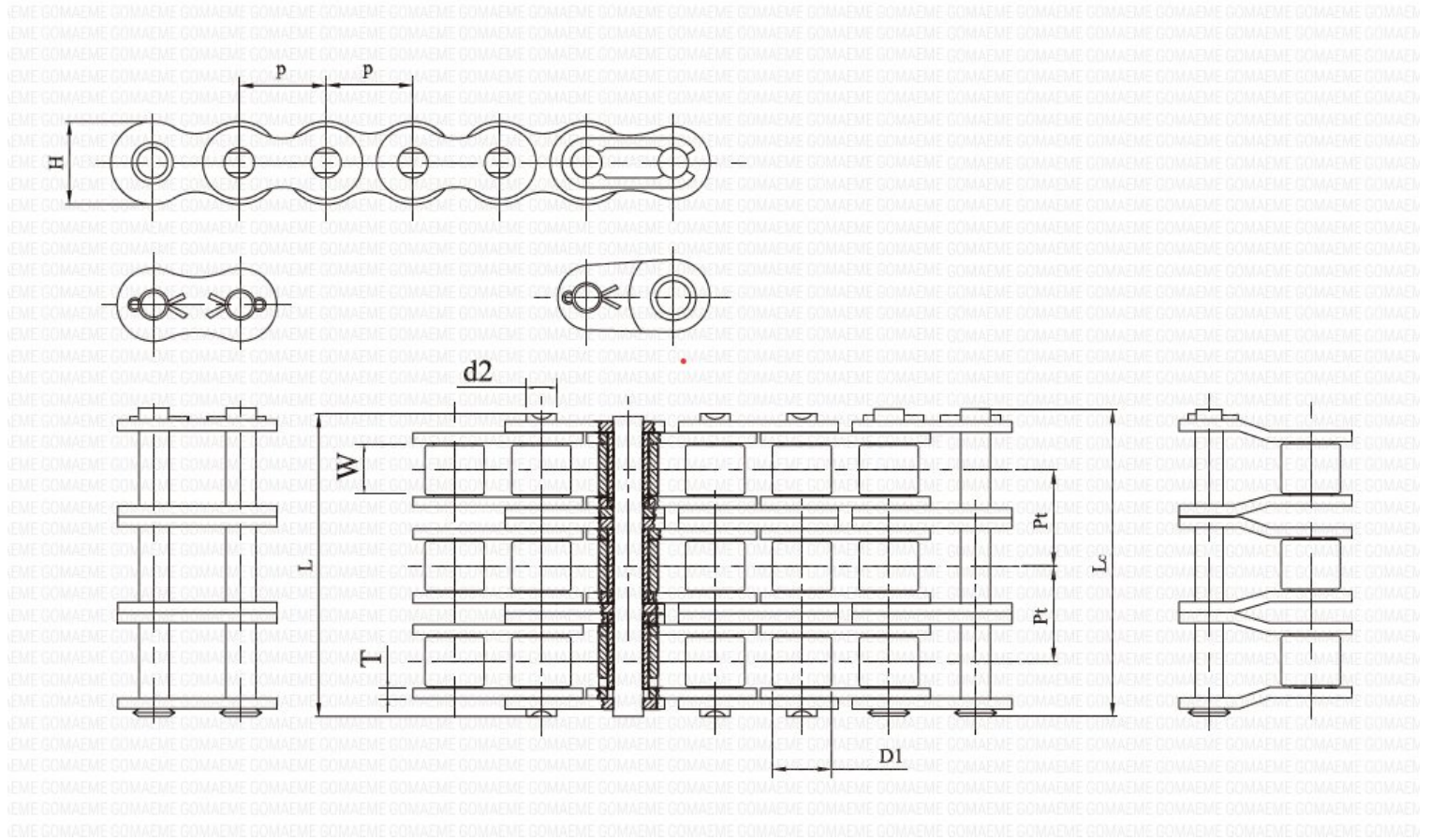


CADENAS A RODILLOS NORMA AMERICANA / ASA

ANSI Chain No	Pitch	Roller Link Width	Roller Outer Diameter	Pin Outer Diameter	Pin Length		Link Plate Height	Link Plate Thickness	Minimum Tensile Strength	Average Tensile Strength	Allowed Load	Transverse Pitch Of Strand
	p	W min	d1 max	d2 max	L max	Lc max	H max	T	min	max	max	Pt
	mm	mm	mm	mm	mm	mm	mm	mm	kgf	kgf	kgf	mm
25-2	6.35	3.10	3.30	2.31	14.50	15.20	6.02	0.75	720	860	110	6.40
35-2	9,525	4,68	5,08	3,60	22,80	23,70	9,05	1,15	1620	2200	370	10,13
40-2	12.70	7.85	7.92	3.98	32.30	36.20	12.07	1.50	2840	3900	630	14.38
50-2	15.875	9.40	10.16	5.09	39.90	44.0	15.09	2.0	4450	6200	1100	18.11
60-2	19.05	12.57	11.91	5.96	49.80	54.40	18.10	2.35	6400	8400	1530	22.78
80-2	25.40	15.75	15.88	7.94	62.70	68.10	24.13	3.20	11360	15000	2550	29.29
100-2	31.75	18.90	19.05	9.54	77.0	83.10	30.17	4.0	17760	24200	3900	35.76
120-2	38.10	25.22	22.23	11.11	96.30	102.9	36.20	4.70	25540	32000	5250	45.44
140-2	44.45	25.22	25.40	12.71	103.60	111.0	42.23	5.50	34760	42000	6970	48.87
160-2	50.80	31.55	28.58	14.29	124.20	132.10	48.26	6.40	45600	60000	9150	58.55
200-2	63.50	37.85	39.68	19.85	151.90	162.10	60.33	8.0	70920	92000	12400	71.55
240-2	76.20	47.35	47.63	23.81	183.40	193.90	72.39	9.50	106220	135000	17150	87.83

MEDIDAS CADENAS TRIPLES

CADENAS A RODILLOS NORMA AMERICANA / ASA

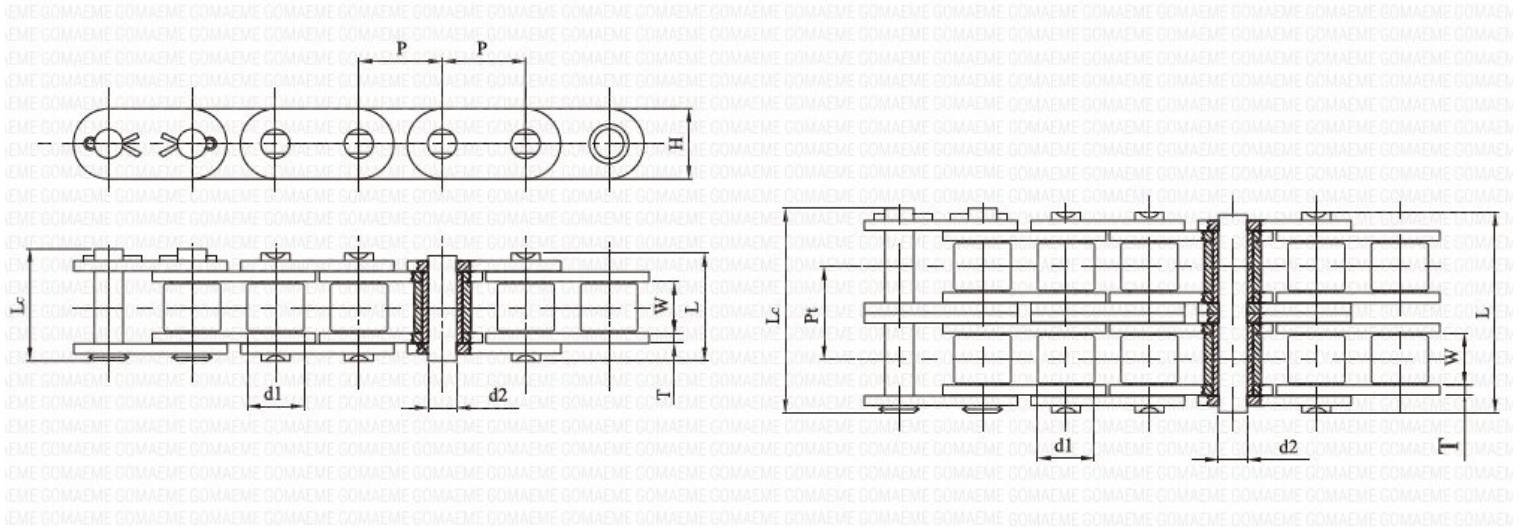


CADENAS A RODILLOS NORMA AMERICANA / ASA

ANSI Chain No	Pitch	Roller Link Width	Roller Outer Diameter	Pin Outer Diameter	Pin Length		Link Plate Height	Link Plate Thickness	Minimum Tensile Strength	Average Tensile Strength	Transverse Pitch Of Strand
	P	W min	d1 max	d2 max	L max	Lc max	H max	T	min		Pt
	mm	mm	mm	mm	mm	mm	mm	mm	kgf	kgf	mm
25-3	6.35	3.10	3.30	2.31	21.80	23.80	5.80	0.75	1075	1397	6.40
35-3	9.525	4.68	5.08	3.60	33.50	36.50	8.80	1.15	2420	3146	10.13
40-3	12.70	7.85	7.92	3.98	46.70	49.70	12.0	1.50	4250	5525	14.38
50-3	15.875	9.40	10.16	5.09	57.90	60.90	15.0	2.0	6675	8677	18.11
60-3	19.05	12.58	11.91	5.96	72.60	76.60	18.0	2.35	9535	12395	22.78
80-3	25.40	15.75	15.87	7.94	91.90	96.0	24.10	3.20	17050	22165	29.29
100-3	31.75	18.90	19.05	9.54	113.0	118.0	30.10	4.0	26560	34528	35.76
120-3	38.10	25.23	22.22	11.11	141.70	147.70	36.20	4.70	38200	49660	45.44
140-3	44.45	25.23	25.40	12.71	152.40	158.50	42.20	5.50	51750	67275	48.87
160-3	50.80	31.55	28.57	14.29	182.90	189.0	48.20	6.40	68100	88530	58.55
200-3	63.50	37.85	39.67	19.85	206.0	214.0	60.30	8.0	106500	138450	71.55
240-3	76.20	47.35	47.62	23.81	227.20	235.50	72.40	9.50	153200	199160	87.83

MEDIDAS CADENAS REFORZADAS - SIMPLES Y DOBLES

CADENAS A RODILLOS NORMA AMERICANA / ASA



CADENAS A RODILLOS NORMA AMERICANA / ASA

ANSI Chain No	Pitch	Roller Link Width	Roller Outer Diameter	Pin Outer Diameter	Pin Length		Link Plate Height	Link Plate Thickness	Minimum Tensile Strength	Average Tensile Strength	Allowed Load	Transverse Pitch Of Strand
	P	W min	d1 max	d2 max	L max	Lc max	H max	T	min	max	max	Pt
	mm	mm	mm	mm	mm	mm	mm	mm	kgf	kgf	kgf	mm
25F	6,35	3,18	3,30	2,31	8,15	/	6,00	1,0/0,7	500	550	100	/
25FH	6.35	3.18	3.30	2.31	8.75	/	6.00	1.0	520	600	110	/
35F	9,525	4,68	5,08	3,60	12,15	13,40	9,05	1,15	810	1100	220	/
40F	12,70	7,85	7,92	3,98	17,80	21,0	12,07	1,50	1420	1950	370	/
50F	15,875	9,40	10,16	5,09	21,80	25,0	15,09	2,0	2230	3100	650	/
60F	19,05	12,57	11,91	5,96	26,90	31,0	18,10	2,35	4000	4200	920	/
80F	25,40	15,75	15,88	7,94	33,50	38,0	24,13	3,20	5680	7500	1500	/
40F-2R	12,70	7,85	7,92	3,98	32,30	36,20	12,07	1,50	2840	3900	630	14,38
50F-2R	15,875	9,40	10,16	5,09	39,90	44,0	15,09	2,0	4450	6200	1100	18,11
60F-2R	19,05	12,57	11,91	5,96	49,80	54,40	18,10	2,35	6400	8400	1530	22,78
100F-2R	31,75	18,9	19,05	9,54	77	83,1	30,17	4,0	17740	24200	3900	35,76