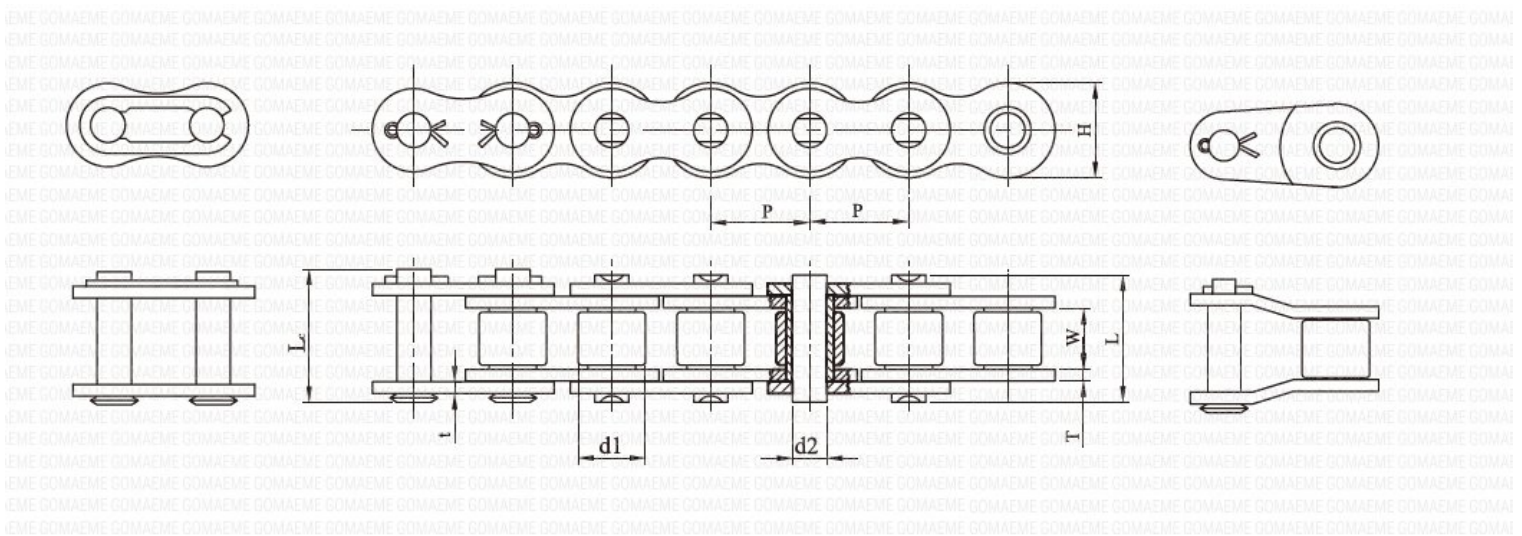


## CADENAS A RODILLOS NORMA EUROPEA / BS



Las cadenas de rodillos de norma Europea se conocen simplemente como ISO, "Las cadenas de British Standard (BS)" o Cadenas "DIN". Comercializamos en Acero al carbono o Inoxidable, en series simples, dobles, triples o reforzadas, uniones y medias mallas se venden por separado.

### MEDIDAS CADENAS SIMPLES



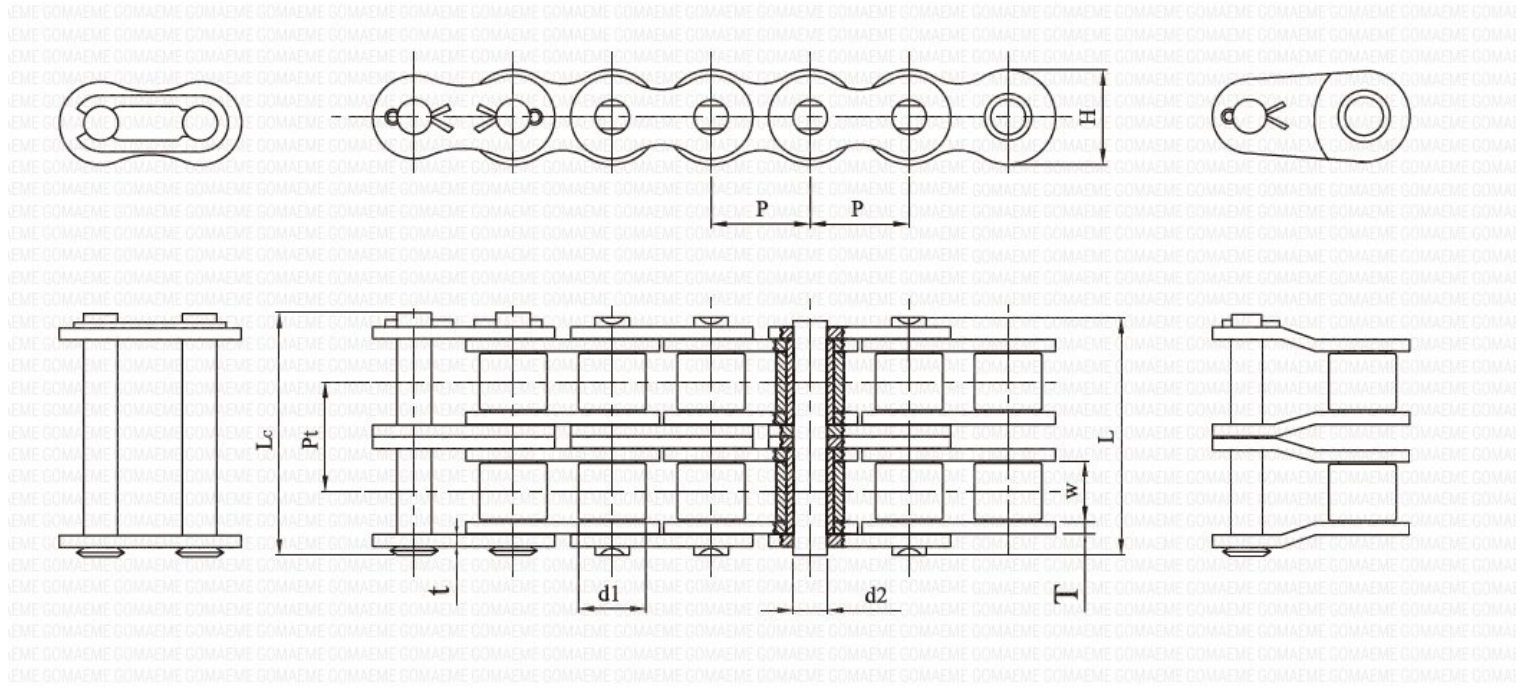
## CADENAS A RODILLOS NORMA EUROPEA / BS

| ISO Chain No | Pitch  | Roller Link Width | Roller Outer Diameter | Pin Outer Diameter | Pin Length |        | Link Plate Height | Link Plate Thickness | Minimum Tensile Strength | Average Tensile Strength |
|--------------|--------|-------------------|-----------------------|--------------------|------------|--------|-------------------|----------------------|--------------------------|--------------------------|
|              | p      | W min             | d1 max                | d2 max             | L max      | Lc max | H max             | T/t                  | min                      |                          |
|              | mm     | mm                | mm                    | mm                 | mm         | mm     | mm                | mm                   | kgf                      | kgf                      |
| 04B          | 6.0    | 2.80              | 4.10                  | 1.85               | 7.40       | 10.30  | 5.0               | 0.60                 | 306                      | 320                      |
| 05B          | 8.0    | 3.0               | 5.0                   | 2.31               | 8.60       | 11.70  | 7.11              | 0.75                 | 500                      | 600                      |
| 06B          | 9.525  | 5.72              | 6.35                  | 3.28               | 13.50      | 16.80  | 8.26              | 1.40/1.10            | 910                      | 1100                     |
| 08B          | 12.70  | 7.75              | 8.51                  | 4.45               | 17.0       | 20.70  | 11.81             | 1.50                 | 1820                     | 1950                     |
| 10B          | 15.875 | 9.65              | 10.16                 | 5.08               | 19.60      | 23.70  | 14.73             | 1.70                 | 2270                     | 2800                     |
| 12B          | 19.05  | 11.68             | 12.07                 | 5.72               | 22.70      | 27.30  | 16.10             | 1.80                 | 2950                     | 3350                     |
| 16B          | 25.40  | 17.02             | 15.88                 | 8.28               | 36.10      | 41.50  | 21.0              | 4.0/3.0              | 6130                     | 7500                     |
| 20B          | 31.75  | 19.56             | 19.05                 | 10.19              | 43.20      | 49.30  | 26.42             | 4.50/3.50            | 9700                     | 10850                    |
| 24B          | 38.10  | 25.40             | 25.40                 | 14.63              | 53.40      | 60.0   | 33.40             | 6.0/5.0              | 16330                    | 18200                    |
| 28B          | 44.45  | 30.99             | 27.94                 | 15.90              | 65.10      | 72.50  | 37.08             | 7.40/6.40            | 20410                    | 23000                    |
| 32B          | 50.80  | 30.99             | 29.21                 | 17.81              | 67.40      | 75.30  | 42.29             | 7.0/6.0              | 25520                    | 28500                    |
| 40B          | 63.50  | 38.10             | 39.37                 | 22.89              | 82.60      | 92.60  | 52.96             | 8.50/8.0             | 36230                    | 40500                    |
| 48B          | 76.20  | 45.72             | 48.26                 | 29.24              | 99.10      | 109.10 | 63.88             | 12.0/9.50            | 57150                    | 63500                    |

### MEDIDAS CADENAS DOBLES



## CADENAS A RODILLOS NORMA EUROPEA / BS



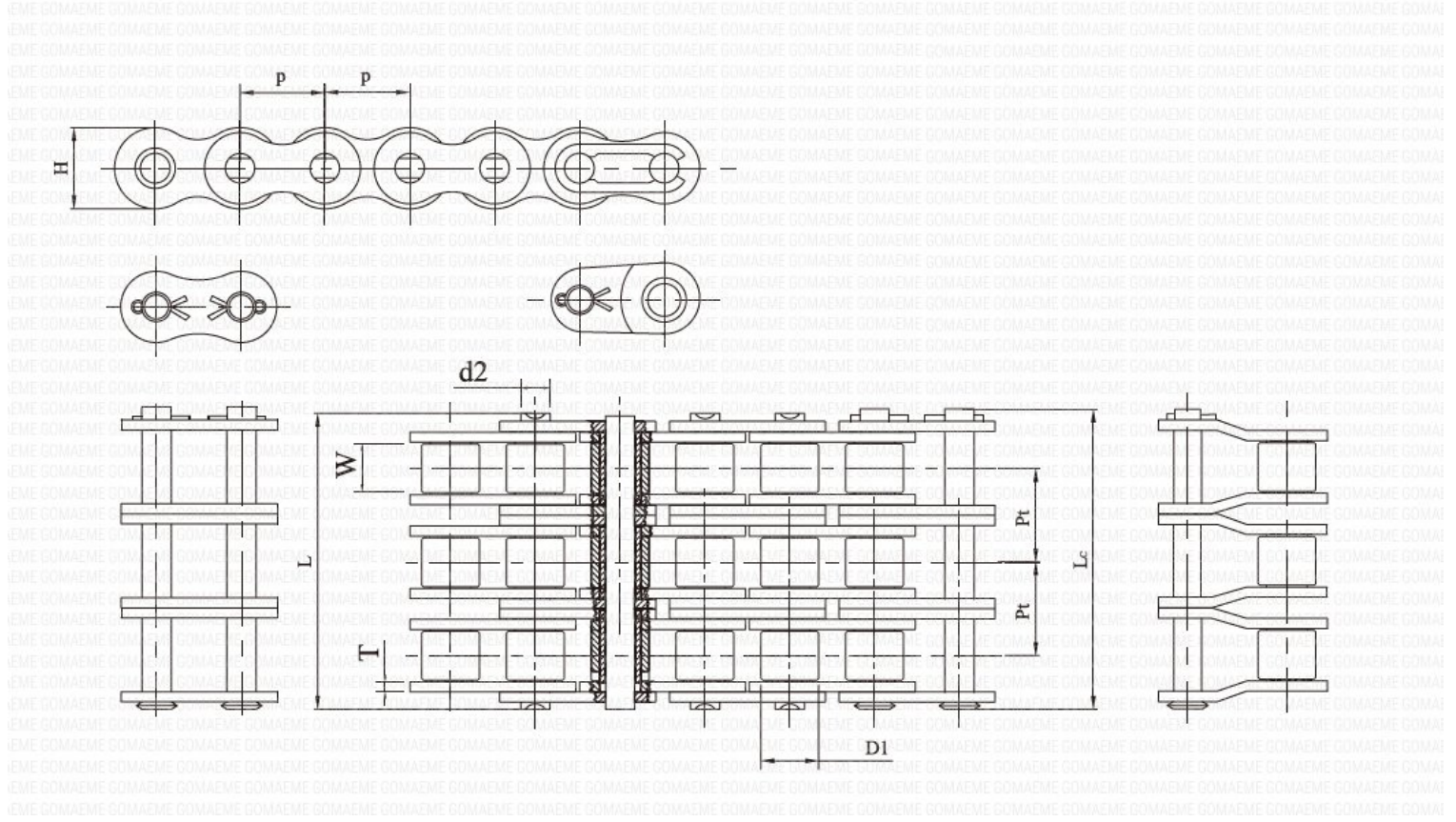
## CADENAS A RODILLOS NORMA EUROPEA / BS

| ISO<br>Chain No | Pitch  | Roller<br>Link<br>Width | Roller<br>Outer<br>Diameter | Pin<br>Outer<br>Diameter | Pin Length |           | Link<br>Plate<br>Height | Link<br>Plate<br>Thickness | Minimum<br>Tensile<br>Strength | Average<br>Tensile<br>Strength | Transverse<br>Pitch Of<br>Strand |
|-----------------|--------|-------------------------|-----------------------------|--------------------------|------------|-----------|-------------------------|----------------------------|--------------------------------|--------------------------------|----------------------------------|
|                 | p      | W<br>min                | d1<br>max                   | d2<br>max                | L<br>max   | Lc<br>max | H<br>max                | T/t                        | min                            |                                | Pt                               |
|                 | mm     | mm                      | mm                          | mm                       | mm         | mm        | mm                      | mm                         | kgf                            | kgf                            | mm                               |
| 05B-2R          | 8.0    | 3.0                     | 5.0                         | 2.31                     | 14.30      | 17.40     | 7.11                    | 0.75                       | 800                            | 1050                           | 5.64                             |
| 06B-2R          | 9.525  | 5.72                    | 6.35                        | 3.28                     | 23.80      | 27.10     | 8.26                    | 1.4/1.1/1.6                | 1730                           | 1900                           | 10.24                            |
| 08B-2R          | 12.70  | 7.75                    | 8.51                        | 4.45                     | 31.0       | 34.90     | 11.81                   | 1.50                       | 3180                           | 3850                           | 13.92                            |
| 10B-2R          | 15.875 | 9.65                    | 10.16                       | 5.08                     | 36.20      | 40.30     | 14.73                   | 1.70                       | 4550                           | 5600                           | 16.59                            |
| 12B-2R          | 19.05  | 11.68                   | 12.07                       | 5.72                     | 42.20      | 46.80     | 16.13                   | 1.80                       | 5900                           | 6500                           | 19.46                            |
| 16B-2R          | 25.40  | 17.02                   | 15.88                       | 8.28                     | 68.0       | 73.40     | 21.08                   | 4.0/3.0                    | 10820                          | 15000                          | 31.88                            |
| 20B-2R          | 31.75  | 19.56                   | 19.05                       | 10.19                    | 79.0       | 85.10     | 26.42                   | 4.50/3.50                  | 17350                          | 21700                          | 36.45                            |
| 24B-2R          | 38.10  | 25.40                   | 25.40                       | 14.63                    | 101.0      | 107.6     | 33.40                   | 6.0/5.0                    | 28580                          | 36400                          | 48.36                            |
| 28B-2R          | 44.45  | 30.99                   | 27.94                       | 15.90                    | 124.0      | 131.40    | 37.08                   | 7.40/6.40                  | 36740                          | 46000                          | 59.56                            |
| 32B-2R          | 50.80  | 30.99                   | 29.21                       | 17.81                    | 126.0      | 133.90    | 42.29                   | 7.0/6.0                    | 45920                          | 57000                          | 58.55                            |
| 40B-2R          | 63.50  | 38.10                   | 39.37                       | 22.89                    | 154.0      | 164.0     | 52.90                   | 8.50/8.0                   | 64290                          | 81000                          | 72.29                            |
| 48B-2R          | 76.20  | 45.72                   | 48.26                       | 29.24                    | 190.0      | 200.0     | 63.88                   | 12.0/9.50                  | 102050                         | 127000                         | 91.21                            |

### MEDIDAS CADENAS TRIPLES



## CADENAS A RODILLOS NORMA EUROPEA / BS

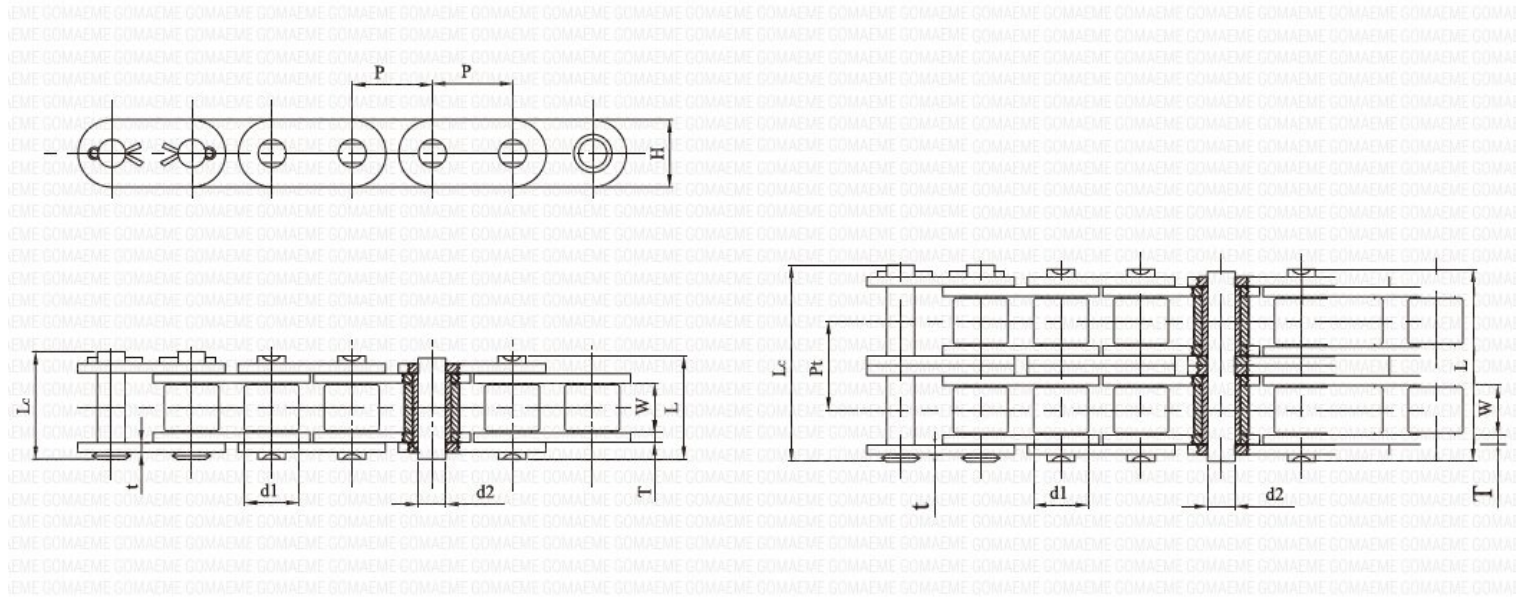


## CADENAS A RODILLOS NORMA EUROPEA / BS

| ISO Chain No | Pitch  | Roller Link Width | Roller Outer Diameter | Pin Outer Diameter | Pin Length |        | Link Plate Height | Link Plate Thickness | Minimum Tensile Strength | Average Tensile Strength | Transverse Pitch Of Strand |
|--------------|--------|-------------------|-----------------------|--------------------|------------|--------|-------------------|----------------------|--------------------------|--------------------------|----------------------------|
|              | p      | W min             | d1 max                | d2 max             | L max      | Lc max | H max             | T/t                  | min                      |                          | Pt                         |
|              | mm     | mm                | mm                    | mm                 | mm         | mm     | mm                | mm                   | kgf                      | kgf                      | mm                         |
| 05B-3        | 8.0    | 3.0               | 5.0                   | 2.31               | 20.90      | 22.90  | 7.11              | 0.75                 | 1135                     | 1475                     | 5.65                       |
| 06B-3        | 9.525  | 5.72              | 6.35                  | 3.28               | 34.05      | 37.0   | 8.26              | 1.40/1.10            | 2545                     | 3308                     | 10.24                      |
| 08B-3        | 12.70  | 7.75              | 8.51                  | 4.45               | 44.90      | 48.0   | 11.81             | 1.50                 | 4550                     | 5915                     | 13.92                      |
| 10B-3        | 15.875 | 9.65              | 10.16                 | 5.08               | 53.20      | 56.0   | 14.73             | 1.70                 | 6850                     | 8905                     | 16.59                      |
| 12B-3        | 19.05  | 11.68             | 12.07                 | 5.72               | 61.70      | 65.70  | 16.13             | 1.80                 | 8850                     | 11505                    | 19.46                      |
| 16B-3        | 25.40  | 17.02             | 15.88                 | 8.28               | 99.90      | 104.0  | 21.08             | 4.0/3.0              | 16500                    | 21450                    | 31.88                      |
| 20B-3        | 31.75  | 19.56             | 19.05                 | 10.19              | 116.10     | 121.0  | 26.42             | 4.50/3.50            | 25550                    | 33215                    | 36.45                      |
| 24B-3        | 38.10  | 25.40             | 25.40                 | 14.63              | 150.20     | 155.20 | 33.40             | 6.0/5.0              | 44000                    | 47000                    | 48.36                      |
| 28B-3        | 44.45  | 30.99             | 27.94                 | 15.90              | 184.30     | 190.30 | 37.08             | 7.40/6.40            | 54100                    | 60000                    | 59.56                      |
| 32B-3        | 50.80  | 30.99             | 29.21                 | 17.81              | 184.50     | 190.50 | 42.29             | 7.0/6.0              | 68400                    | 75000                    | 58.55                      |
| 40B-3        | 63.50  | 38.10             | 39.37                 | 22.89              | 227.20     | 234.20 | 52.96             | 8.50/8.0             | 97000                    | 120000                   | 72.29                      |
| 48B-3        | 76.20  | 45.72             | 48.26                 | 29.24              | 281.60     | 288.60 | 63.88             | 12.0/9.50            | 153000                   | 180000                   | 91.21                      |

### MEDIDAS CADENAS REFORZADAS - SIMPLES Y DOBLES

## CADENAS A RODILLOS NORMA EUROPEA / BS





## CADENAS A RODILLOS NORMA EUROPEA / BS

GOMAEME GOMAEME GOMAEME GOMAEME GOMAEME GOMAEME GOMAEME GOMAEME GOMAEME GOMAEME GOMAEME GOMAEME GOMAEME GOMAEME GOMAEME GOMAEME

| ISO Chain No | Pitch  | Roller Link Width | Roller Outer Diameter | Pin Outer Diameter | Pin Length |        | Link Plate Height | Link Plate Thickness | Minimum Tensile Strength | Average Tensile Strength | Transverse Pitch Of Strand |
|--------------|--------|-------------------|-----------------------|--------------------|------------|--------|-------------------|----------------------|--------------------------|--------------------------|----------------------------|
|              | P      | W min             | d1 max                | d2 max             | L max      | Lc max | H max             | T/t                  | min                      | kgf                      | Pt                         |
|              | mm     | mm                | mm                    | mm                 | mm         | mm     | mm                | mm                   | kgf                      | kgf                      | mm                         |
| 08BF         | 12,70  | 7,75              | 8,51                  | 4,45               | 17,0       | 20,70  | 11,80             | 1,50                 | 1820                     | 1950                     | /                          |
| 10BF         | 15,875 | 9,65              | 10,16                 | 5,08               | 19,60      | 23,70  | 14,70             | 1,70                 | 2270                     | 2800                     | /                          |
| 12BF         | 19,05  | 11,68             | 12,07                 | 5,72               | 22,70      | 27,30  | 16,10             | 1,80                 | 2950                     | 3250                     | /                          |
| 16BF         | 25,40  | 17,02             | 15,88                 | 8,28               | 36,10      | 41,50  | 21,0              | 4,0/3,0              | 6130                     | 7500                     | /                          |
| 20BF         | 31,75  | 19,56             | 19,05                 | 10,19              | 43,20      | 49,30  | 26,40             | 4,50/3,50            | 9700                     | 10850                    | /                          |
| 24BF         | 38,10  | 25,40             | 25,40                 | 14,63              | 53,40      | 60,0   | 33,40             | 6,0/5,0              | 16330                    | 18200                    | /                          |
| 28BF         | 44,45  | 30,99             | 27,94                 | 15,90              | 65,10      | 72,50  | 37,0              | 7,40/6,40            | 20410                    | 23000                    | /                          |
| 32BF         | 50,80  | 30,99             | 29,21                 | 17,81              | 67,40      | 75,30  | 42,20             | 7,0/6,0              | 25520                    | 28500                    | /                          |
| 08BF-2       | 12,70  | 7,75              | 8,51                  | 4,45               | 31,0       | 34,90  | 11,80             | 1,50                 | 3180                     | 3850                     | 13,92                      |
| 10BF-2       | 15,875 | 9,65              | 10,16                 | 5,08               | 36,20      | 40,30  | 14,70             | 1,70                 | 4550                     | 5600                     | 16,59                      |
| 12BF-2       | 19,05  | 11,68             | 12,07                 | 5,72               | 42,20      | 46,80  | 16,10             | 1,80                 | 5900                     | 6500                     | 19,46                      |
| 16BF-2       | 25,40  | 17,02             | 15,88                 | 8,28               | 68,0       | 73,40  | 21,0              | 4,0/3,0              | 10820                    | 15000                    | 31,88                      |
| 20BF-2       | 31,75  | 19,56             | 19,05                 | 10,19              | 79,0       | 85,10  | 26,40             | 4,50/3,50            | 17350                    | 21700                    | 36,45                      |
| 24BF-2       | 38,10  | 25,40             | 25,40                 | 14,63              | 101,0      | 107,60 | 33,40             | 6,0/5,0              | 28580                    | 36400                    | 48,36                      |
| 28BF-2       | 44,45  | 30,99             | 27,94                 | 15,90              | 124,0      | 131,40 | 37,0              | 7,40/6,40            | 36740                    | 46000                    | 59,56                      |
| 32BF-2       | 50,80  | 30,99             | 29,21                 | 17,81              | 126,0      | 133,90 | 42,20             | 7,0/6,0              | 45920                    | 57000                    | 58,55                      |

GOMAEME GOMAEME GOMAEME GOMAEME GOMAEME GOMAEME GOMAEME GOMAEME GOMAEME GOMAEME GOMAEME GOMAEME GOMAEME GOMAEME GOMAEME GOMAEME